

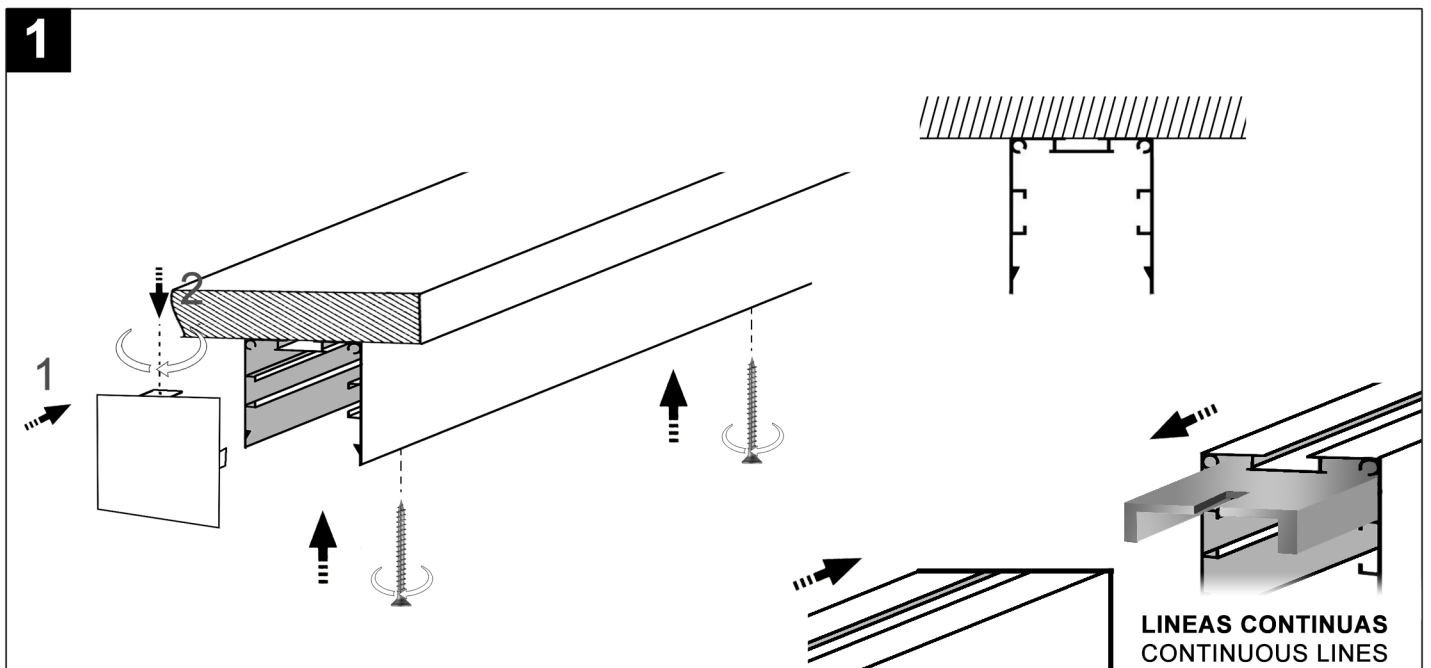
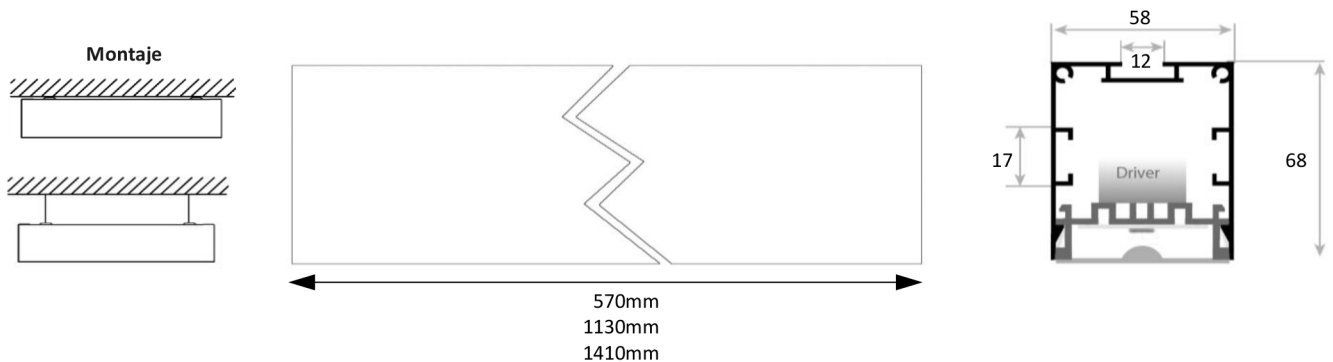
Nota: Antes de manipular la luminaria lea detenidamente la totalidad del manual.
Note: Before start managing the luminaire read the whole manual carefully.

ATENCIÓN / WARNING

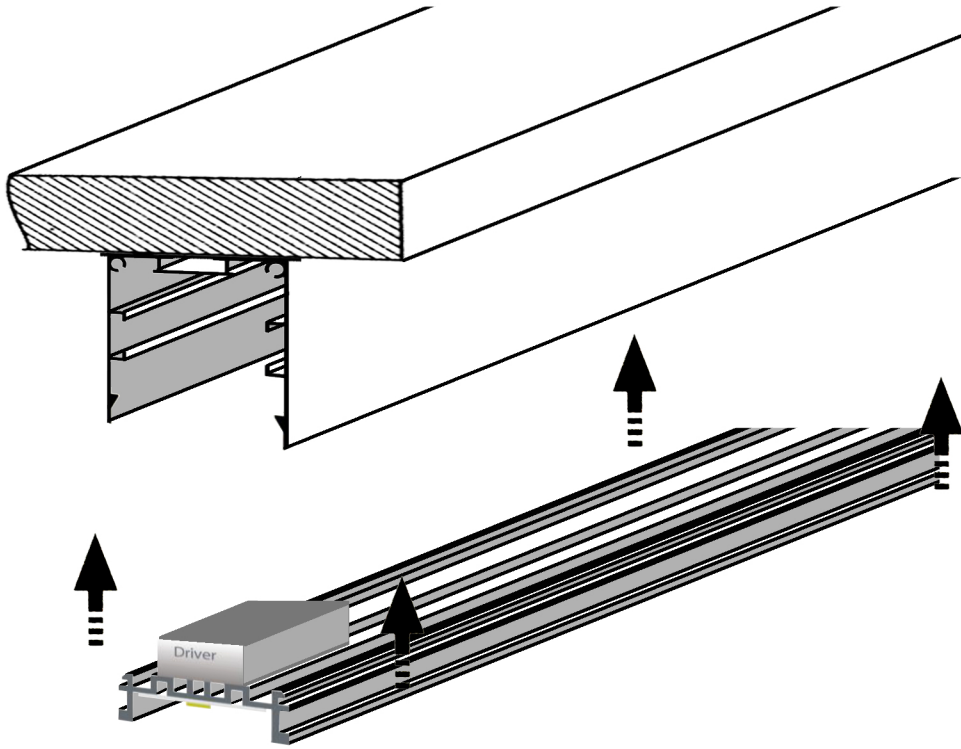
- Las luminarias deben ser manipuladas por personal profesional cualificado.**
Luminaires must be manipulated by qualified professional staff.
- Antes de efectuar cualquier manipulación en la luminaria, asegúrese de que la corriente eléctrica se encuentra desconectada.**
Disconnect electricity supply before any installation or servicing work.

ADVERTENCIAS / GENERAL

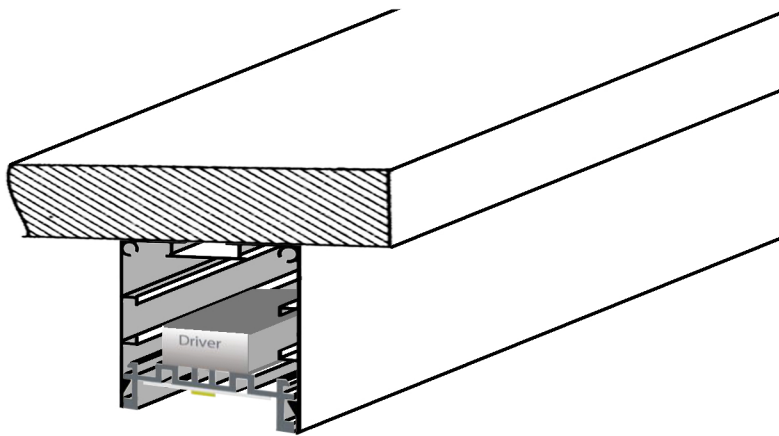
- Válido para uso interior.**
Suitable for indoor use.
- Mantener una distancia mínima de 0,2m de cualquier material inflamable.**
Products should be kept a distance at least 0.2m with flammable materials.
- La conexión debe realizarse utilizando los accesorios suministrados con la luminaria, asegurando su firmeza.**
The connection must be made using the accessories supplied with the luminaire, ensuring its firmness.



2



3



4

Diagram 4 illustrates the final step of the assembly process. Two cross-sectional views are shown. The left view shows the panel and track with the "Driver" component. The right view shows the panel and track with the "Driver" component and a vertical line connecting to the top surface.